

AC220 VOLTAGE AIR CONDITIONER FOR MEDICAL VEHICLE, RV

Ecooler3800A



Electronic Control Panel



Mechanical Control Panel



Features

- ◆ Use environmentally friendly R401a refrigerant;
- ◆ One-piece unit; rooftop mounted, easy for installation
- ◆ Cooling design using axial flow fan;
- ◆ Special for RV, Medical Vehicle, Mobile Communications vehicle and etc.

Technical Data

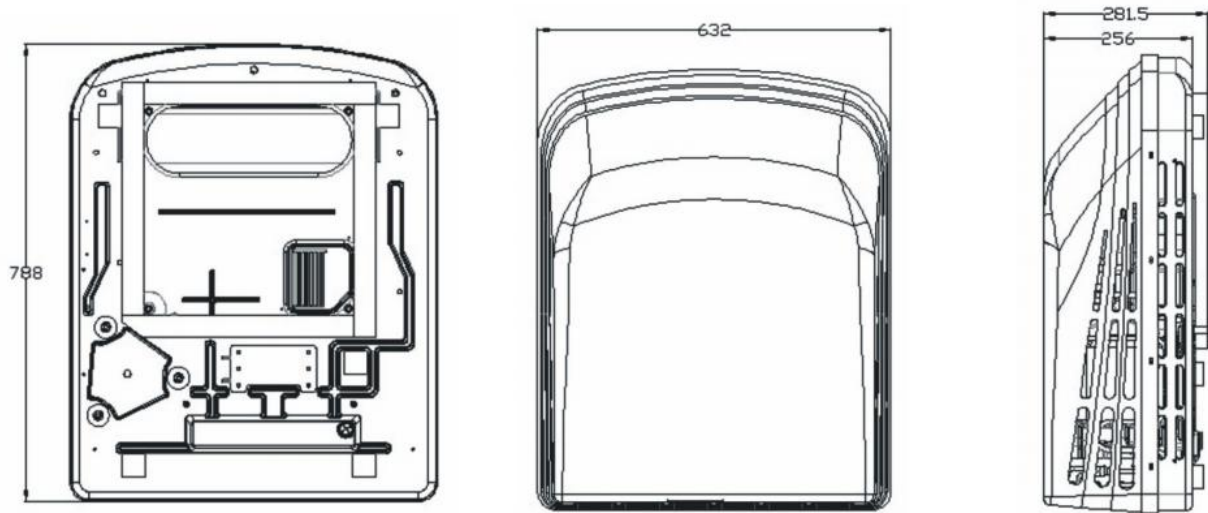
Model	Ecooler3800A
Refrigerant/Volume	R410a
Cooling capacity	3800W / 12920Btu
Power	1450W
Voltage	AC220 / 50Hz
Evaporator blower air vol.	600m ³ /h
Condenser fan air vol.	1000m ³ /h
Dimensions	788*632*256mm
Weight	30kg
Open hole size	360*360mm
Electronic control panel size	508*45*508mm
Mechanical control panel size	539*64*572mm
Vehicle Applications	All trucks, van , tractor and RV cabs etc.

* Specification are subject to change without priority notice.

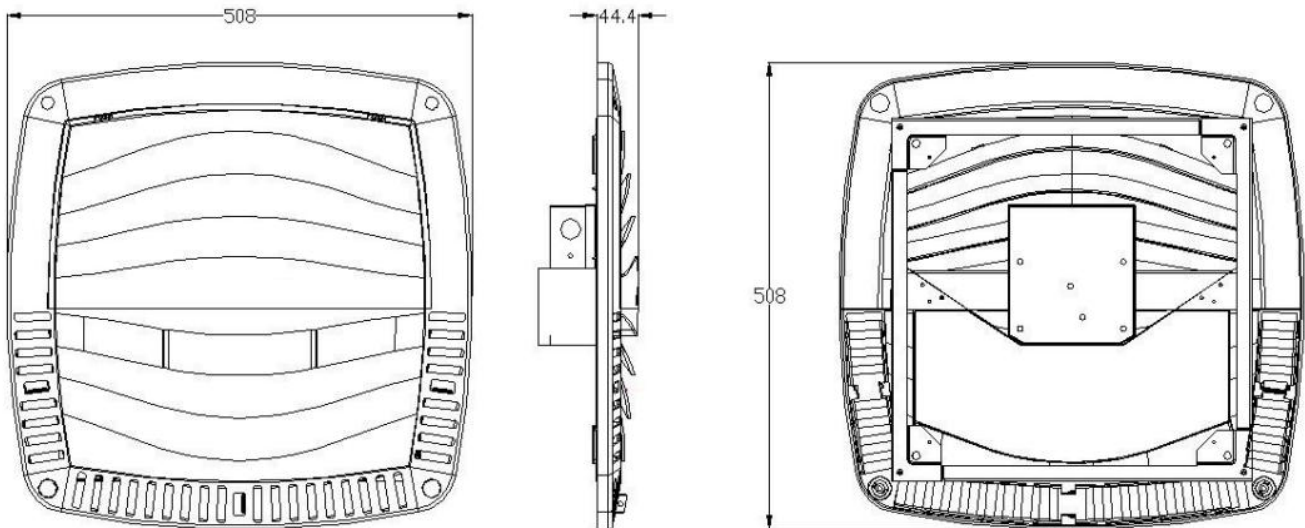
* For specific model performance data, capacities, and other technical information, contact GUCHEN service man or

* Your local factory representative.

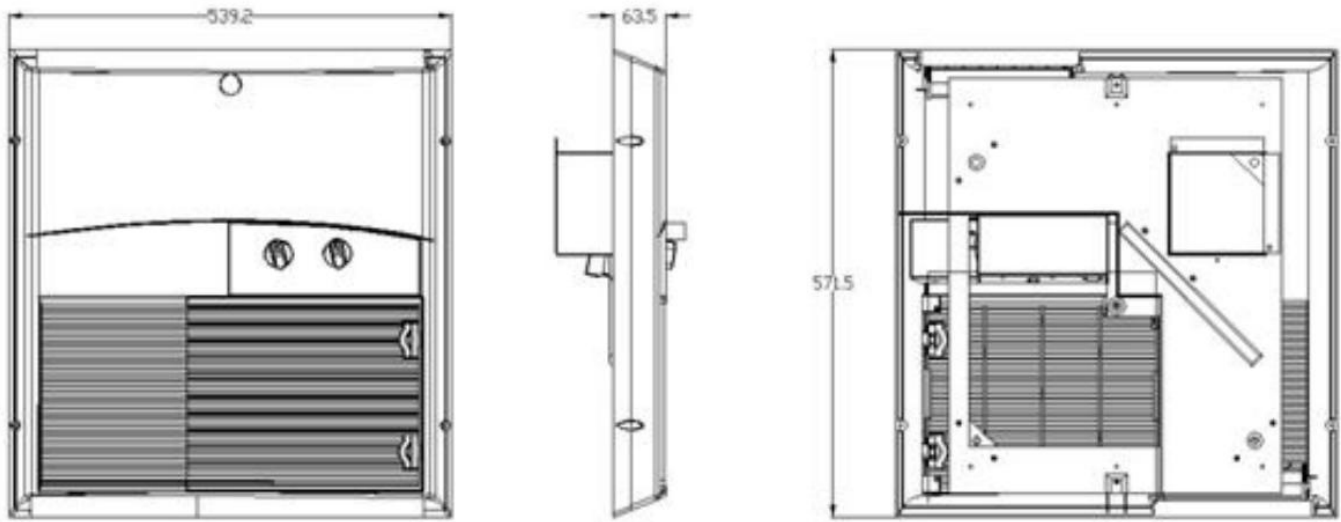
Outlook Sketch



Electronic Control Panel



Mechanical Control Panel



Zhengzhou Guchen Industry Co.,Ltd.

Add: 129 Huanghe Rd, Zhengzhou, China.

Tel: +86 371 6915 2892

Fax: +86 371 6915 2894

Email: info@guchen.com

http://www.guchen.com

Guchen Industry Version No. 1.0